



FEATURES

knock-down; LED light; remote control

OPTIONS

Single charger; multe charger; UK / US power plug

Available in

FRAME - FINISHING



HFTS
teak scuro

1B01
anthracite



HFTK
teak natural

1B01
anthracite



HFTK
teak natural

1B02
pepper

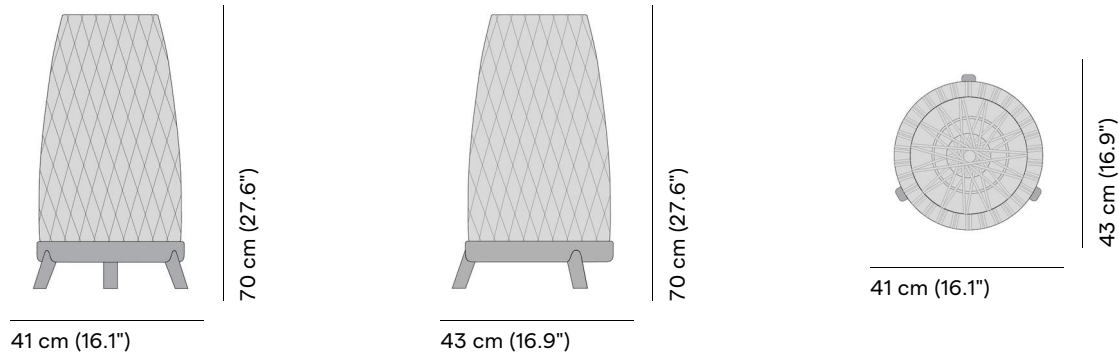


HFTS
teak scuro

1B02
pepper



Technical drawing



Maintenance

To maintain and protect your Manutti pieces, we've developed a series of products that will guarantee their extended lifespan and your carefree enjoyment for many years to come.

- [Manutti Care line kit](#)
- [Cushion Boxes](#)
- [Protective Covers](#)



More in this collection



[VIEW COLLECTION](#)

Matching collections

